

# IN-WALL™ CAMERA MOUNTS

Back Box Enclosure Dimensions for Vaddio™  
IN-Wall Recessed Camera Mounting Systems  
for Vaddio, Sony® and Canon® PTZ Cameras



Shown With EVI-D100

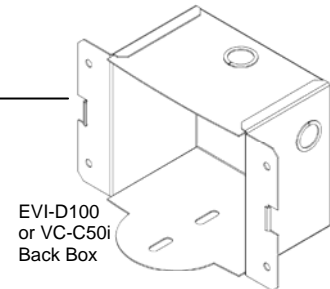
## 999-2225-001

### IN-Wall Mount for Sony EVI-D100 & Canon VC-C50i Cameras

Fits Vaddio WallVIEW™ 100 PTZ, WallVIEW 50i PTZ, Model 100 PTZ, Model 50i PTZ, Sony EVI-D100 and Canon VC-C50i

Back Box Dimensions:

- 5.75" (146.05mm) Tall x 6.25" (158.75mm) Wide x 4" (101.6mm) Deep
- Mounting Flanges: 1.5" (38.1) Wide x 5.75" (146.05mm) Tall
- Camera platform extends 2" out from wall
- Face frame covers mounting flanges and dry wall opening

EVI-D100  
or VC-C50i  
Back Box

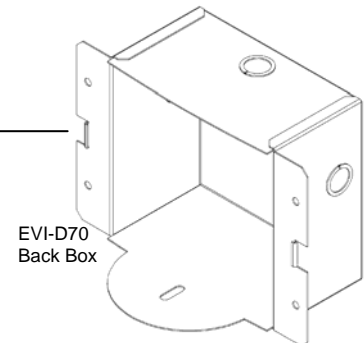
## 999-2225-002

### IN-Wall Mount for Sony® EVI-D70 Cameras

Fits Vaddio WallVIEW 70 PTZ, Model 70 PTZ and Sony EVI-D70

Back Box Dimensions:

- 7" (177.8mm) Tall x 7.25" (184.15mm) Wide x 4" (101.6mm) Deep
- Mounting Flanges: 1.5" (38.1) Wide x 7" (177.80mm) Tall
- Camera platform extends 2.5" out from wall
- Face frame covers mounting flanges and dry wall opening

EVI-D70  
Back Box

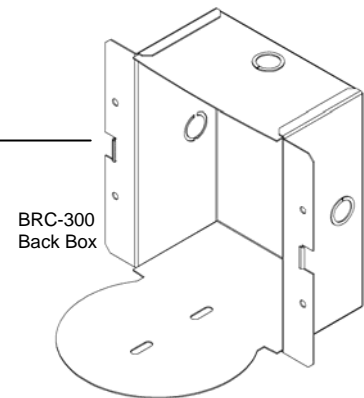
## 999-2225-003

### IN-Wall Mount for Sony® BRC-300 Cameras

Fits Vaddio WallVIEW 300 PTZ and Sony BRC-300

Back Box Dimensions:

- 9.25" (234.95mm) Tall x 7.25" (184.15mm) Wide x 4" (101.6mm) Deep
- Mounting Flanges: 1.5" (38.1mm) Wide x 9.25" (234.95mm) Tall
- Camera platform extends 6" out from wall
- Face frame covers mounting flanges and dry wall opening

BRC-300  
Back Box

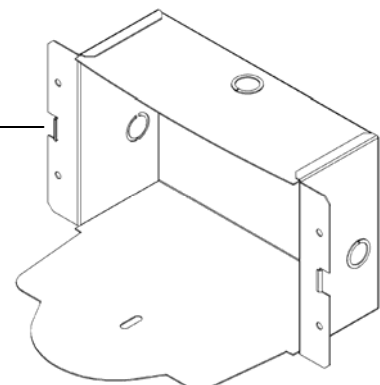
## 999-2225-004

### IN-Wall Mount for Sony® EVI-HD1 Cameras

Fits Vaddio WallVIEW HD1 and Sony EVI-HD1

Back Box Dimensions:

- 7.5" (190.5mm) Tall x 11" (279.4mm) Wide x 4" (101.60mm) Deep
- Mounting Flanges: 1.5" Wide x 7.5" (190.50mm) Tall
- Camera platform extends 6.5" out from wall
- Face frame covers mounting flanges and dry wall opening



HD1 Back Box